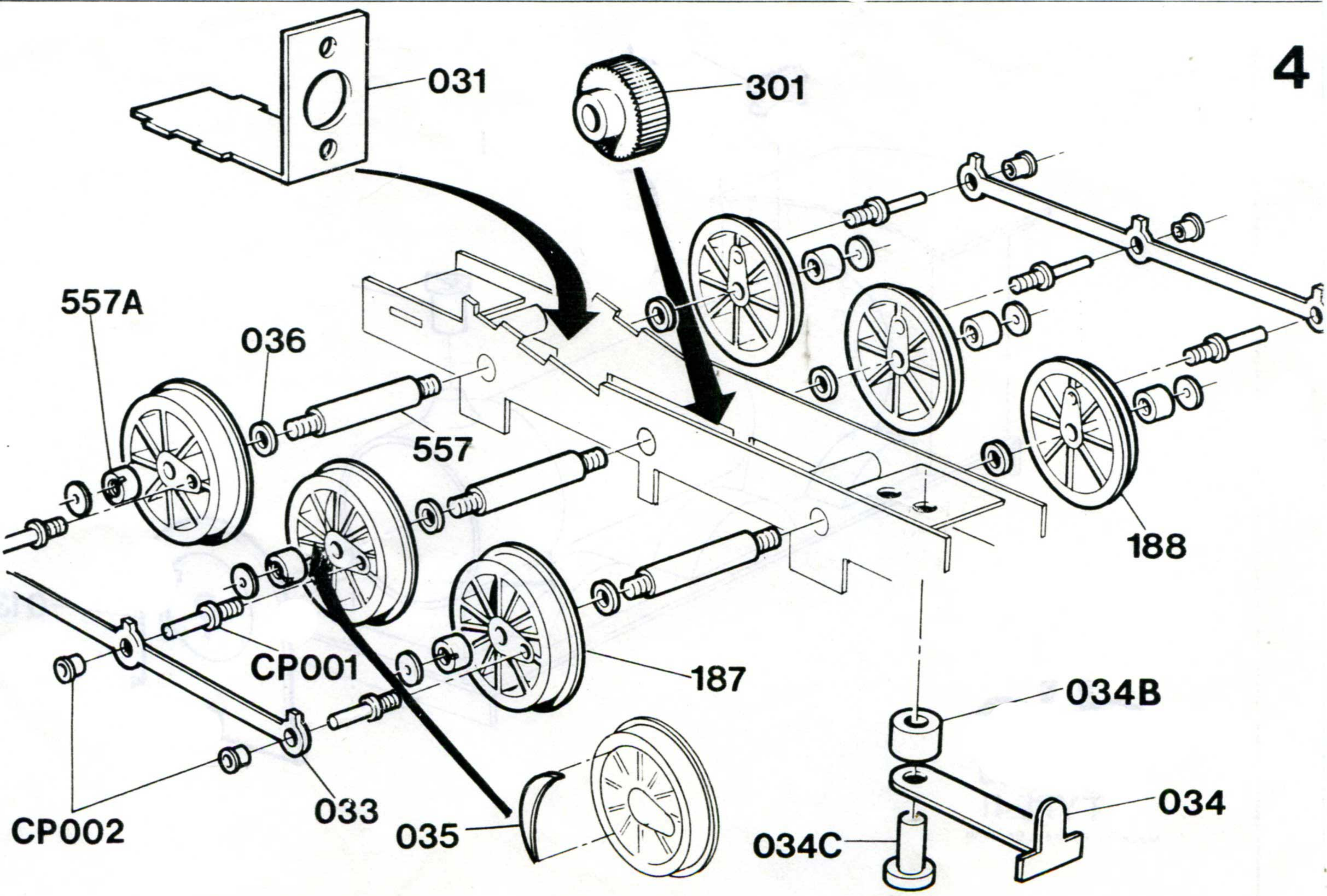
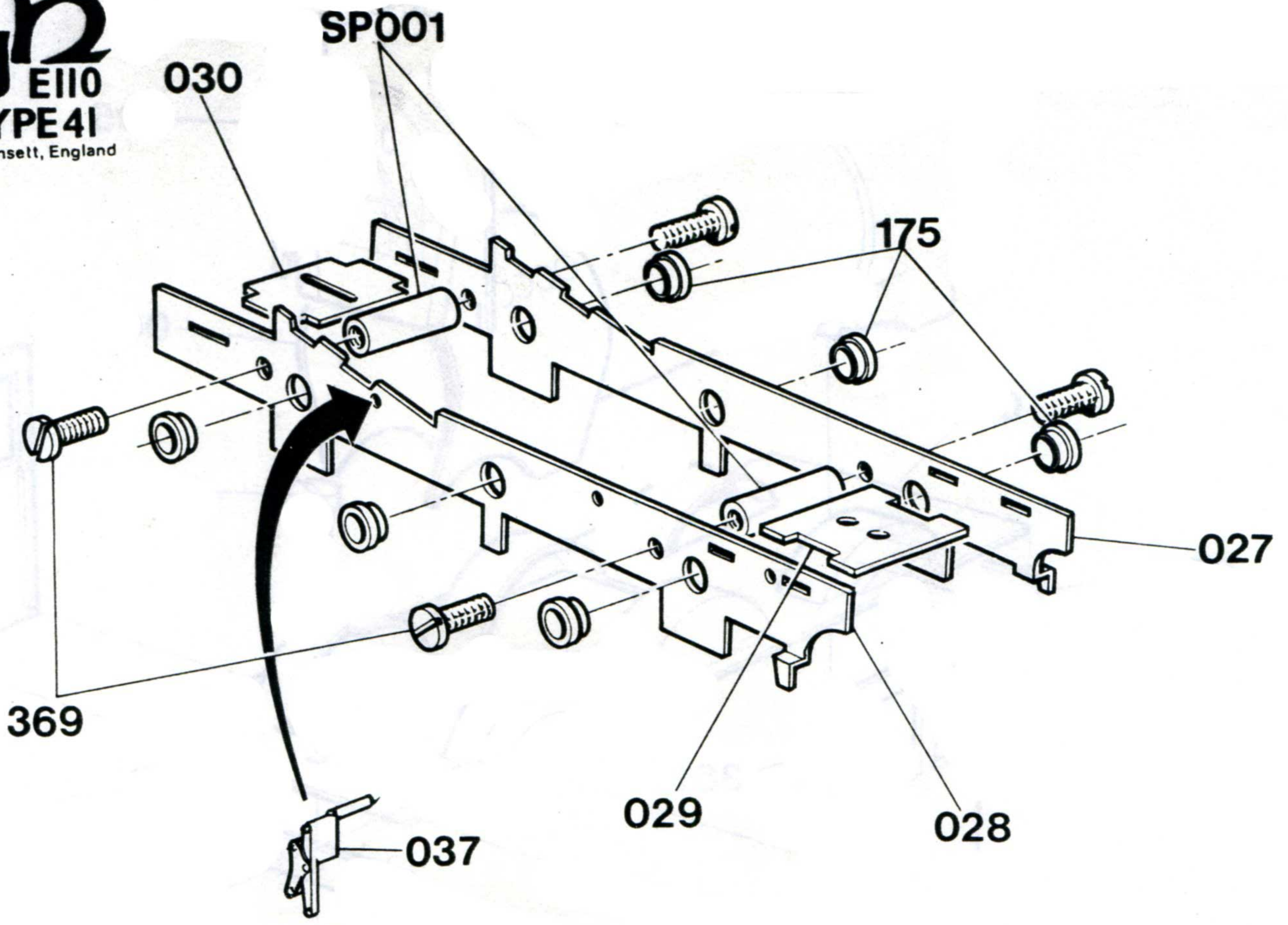
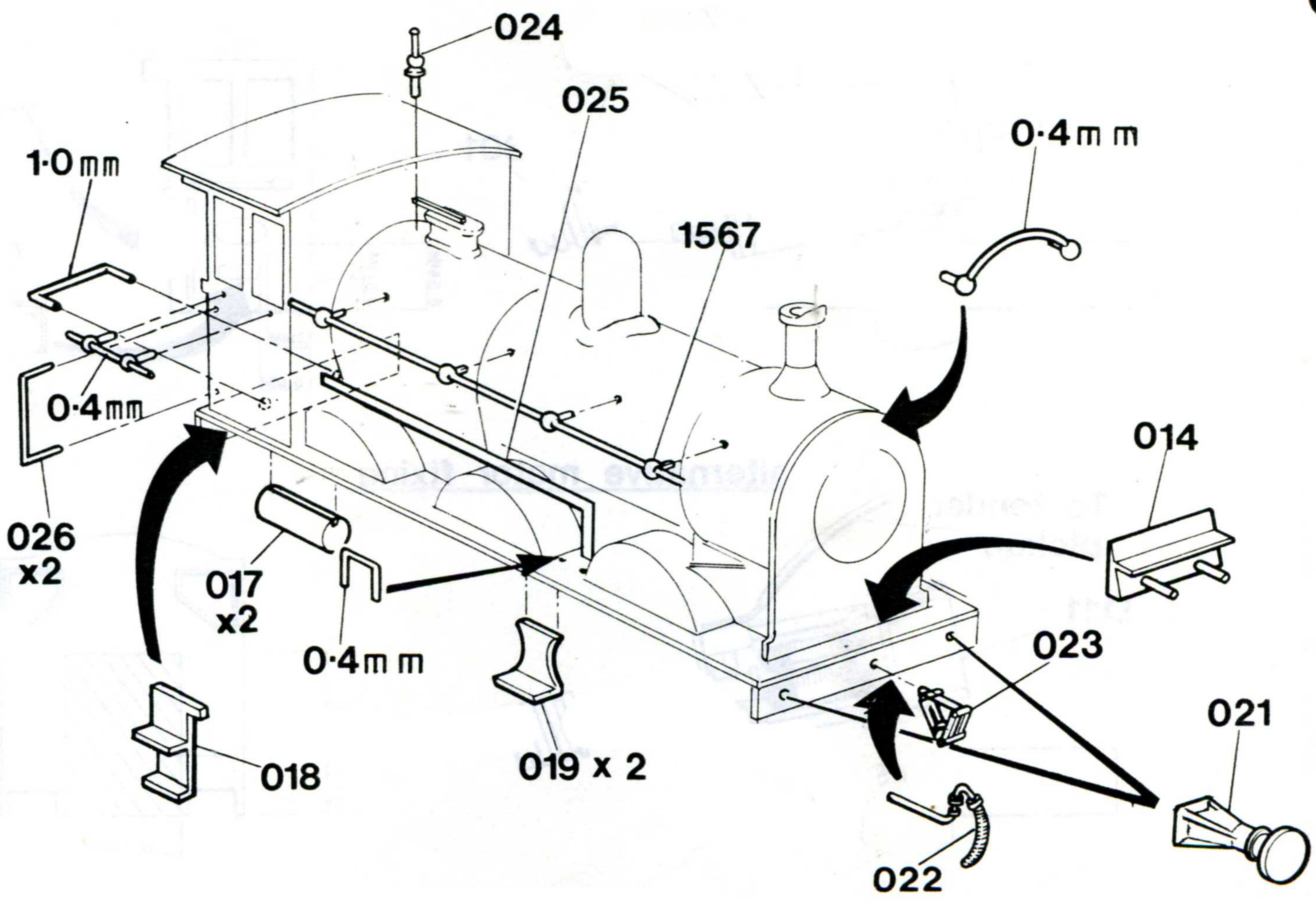
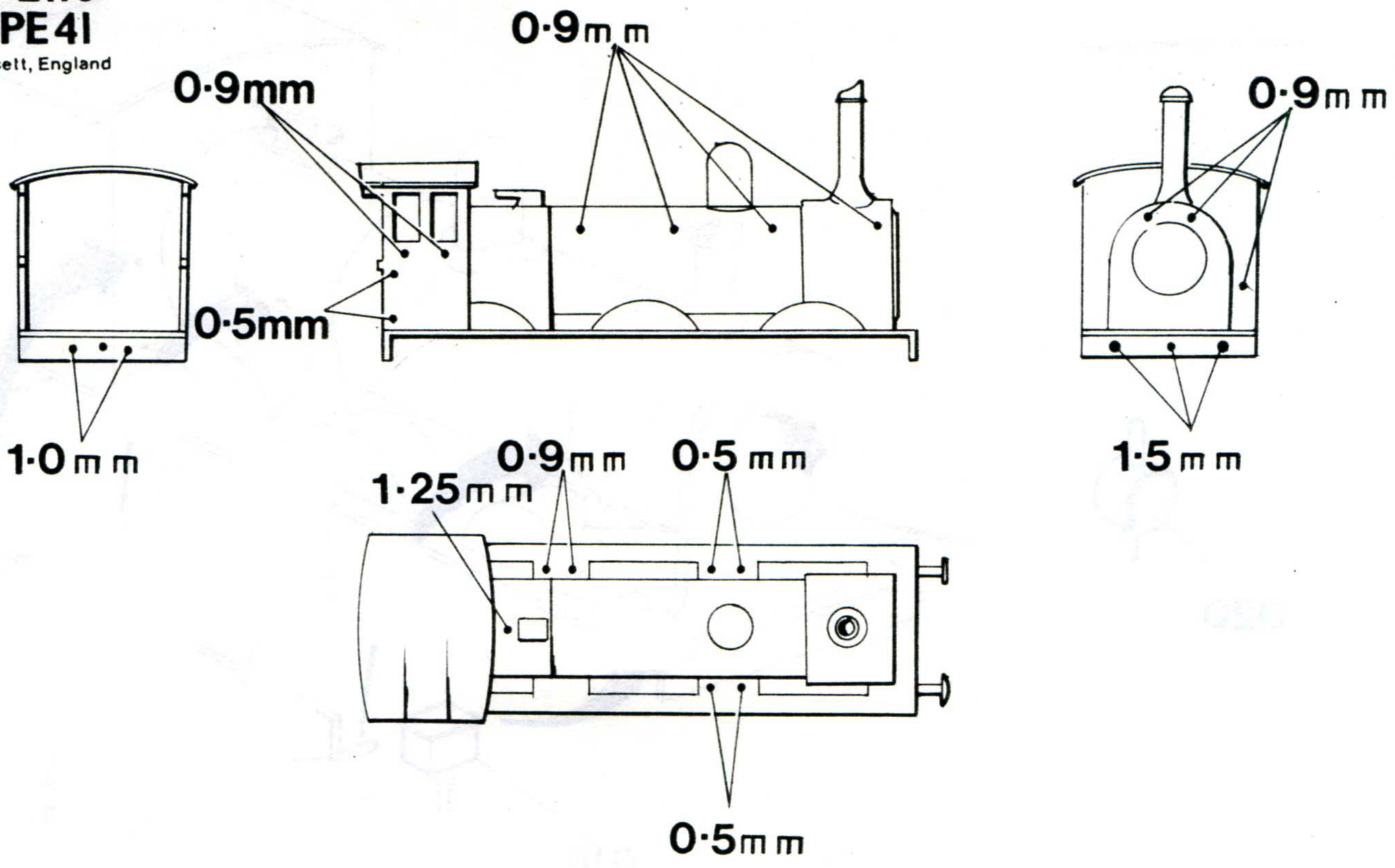


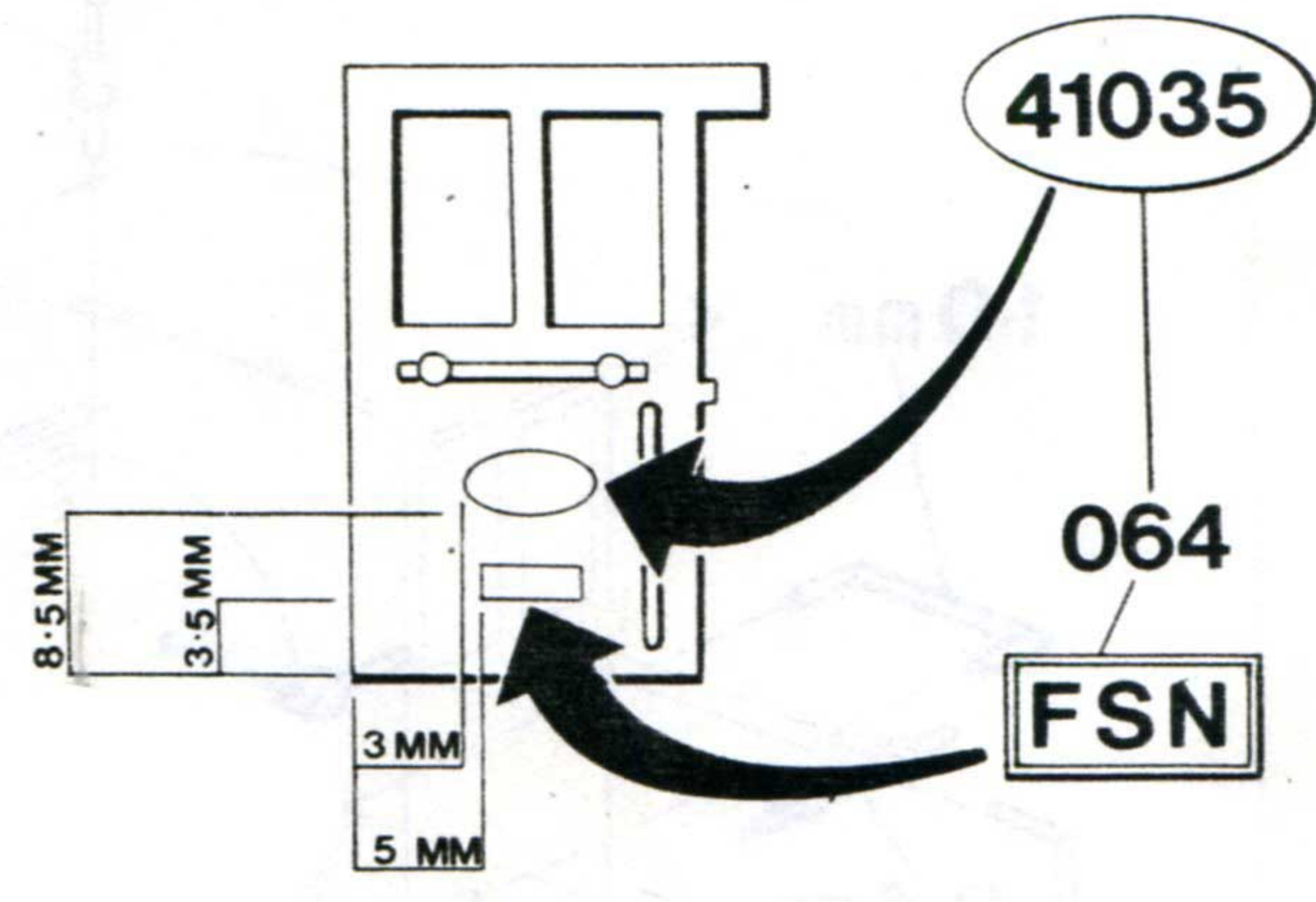
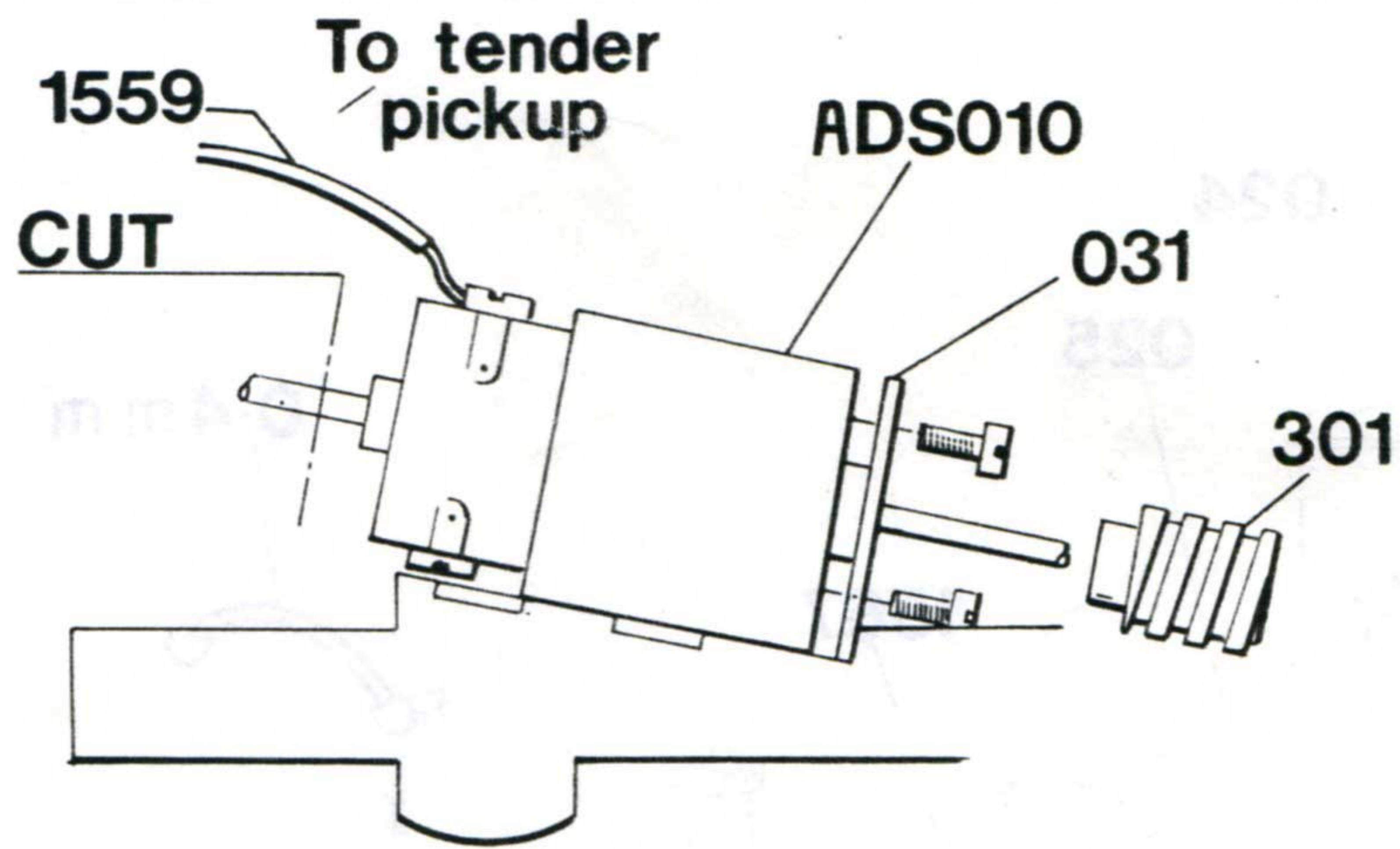
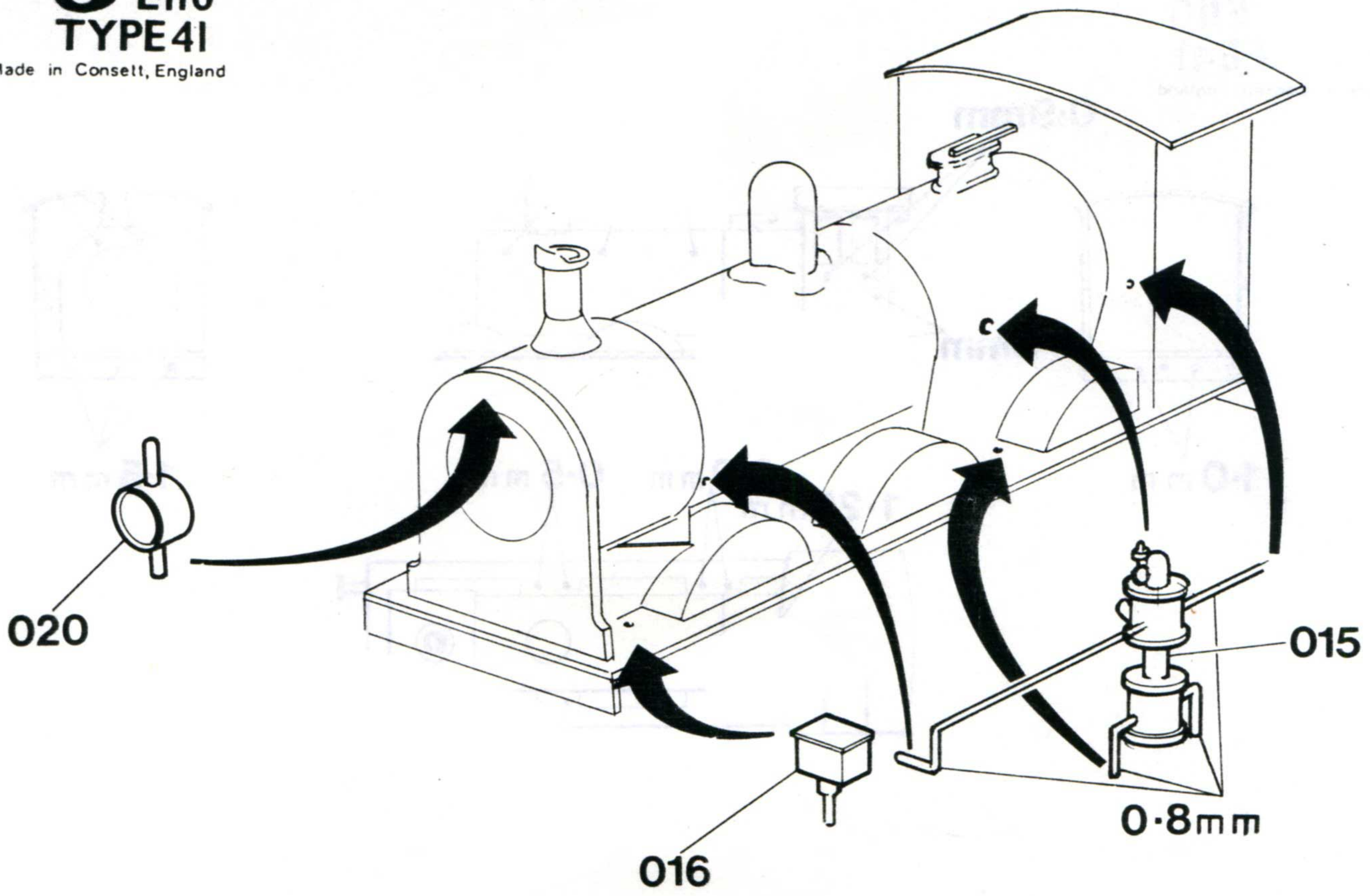
dh
E110
TYPE 41

Made in Consett, England

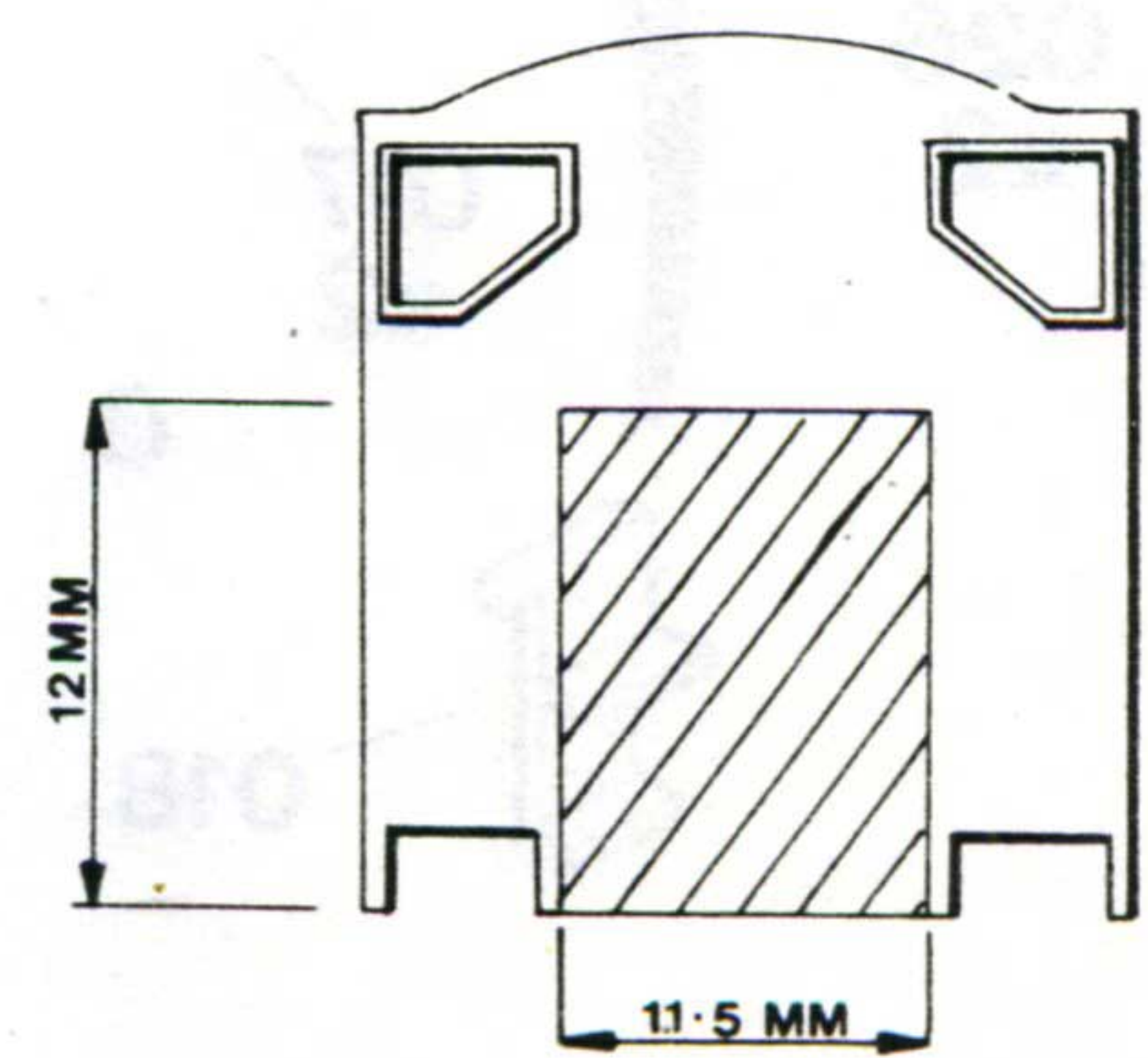
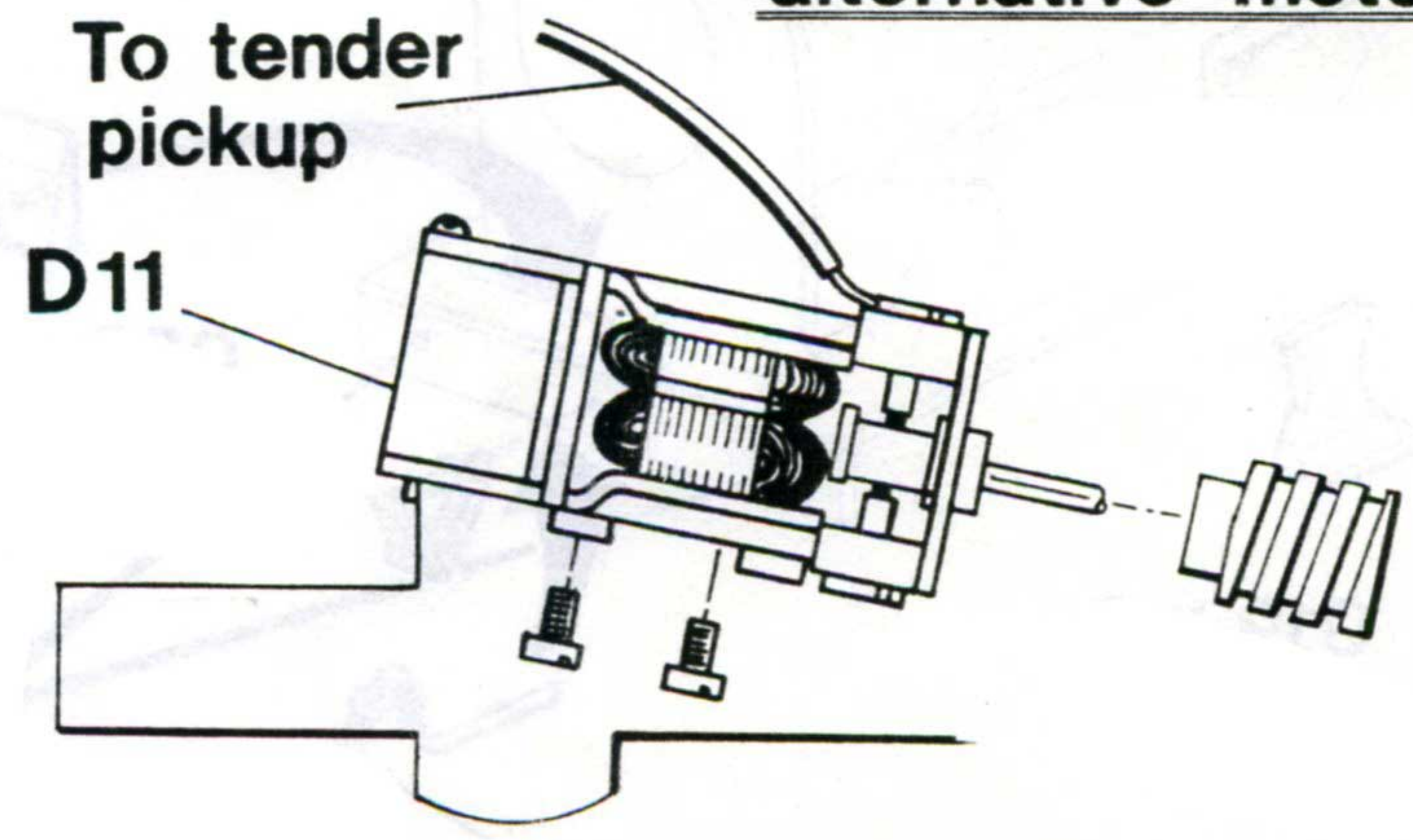
gh
E110
TYPE 41
Made in Consett, England

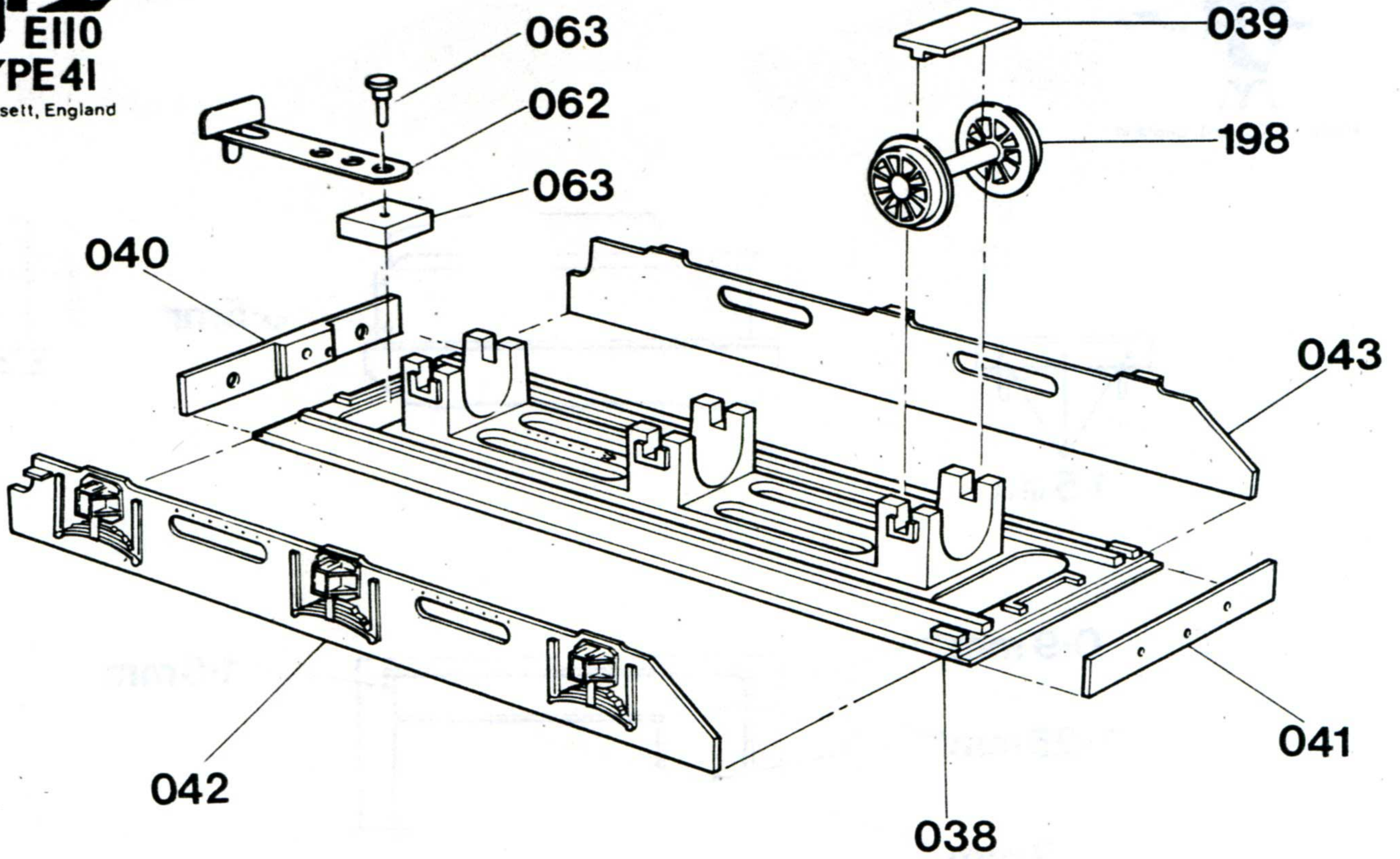






alternative motor fixing





2

3

